

Figure 3 - Rear Attached Mower with Cutter Bar and Mounting Kit

REAR ATTACHED *Mowers*

MODELS 14-15, 16, 59, 67 and 73

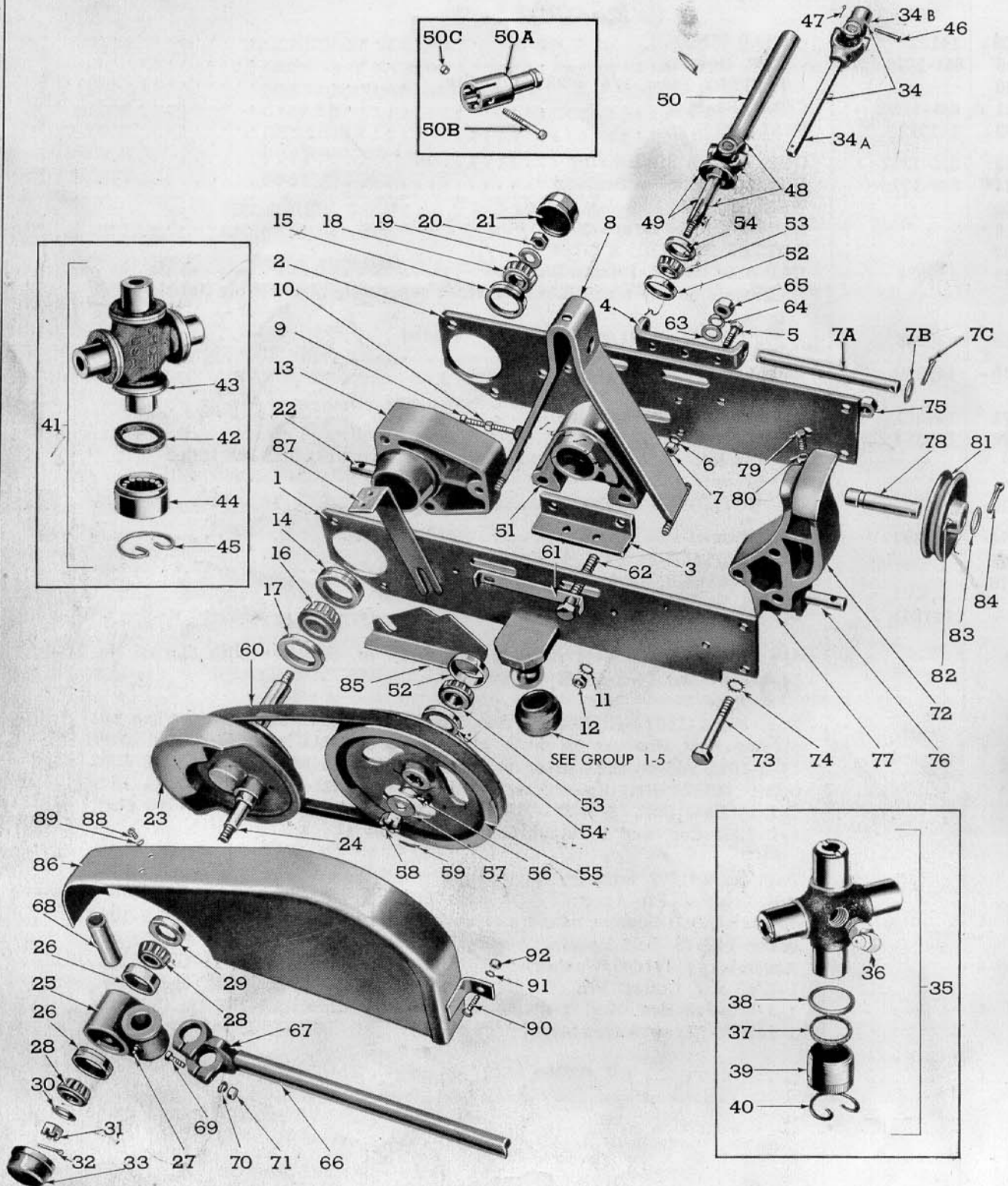


Figure 7 - Main Drive

FIG. 7	PART NO.	NAME AND DESCRIPTION	QTY. REQ.
Group 1-1B—MAIN DRIVE (Models 14-15, 16, 59, 67 and 73)			
1	142587	RAIL and BALL PLATE, Side, Rear (Welded Assembly)	1
2	142583	RAIL, Side, Front	1
3	142592	BRACKET, Angle	1
4	142584	BRACKET, U	1
		BOLT, 1/2" - 20 x 1-3/4" Hex Hd. }	2
5		BOLT, 1/2" - 20 x 1-1/2" Hex. Hd. } Angle Bracket to Front and Rear Side	5
6		LOCKWASHER, 1/2" Shakeproof } Rail - U Bracket to Front Side Rail	9
7		NUT, 1/2" - 20 Hex. }	7
7A	142585	SHAFT	1
7B		WASHER, 3/4" Flat } Anchor Straps to Front Side Rail U-Bracket	2
7C		COTTER PIN, 1/4 x 1-1/2" }	2
8	143600	ARM and SCREW ASSEMBLY	
		Consists of Arm which is not serviced separately plus items listed below:	
9	142610	SCREW, 3/8" Spec. } Belt Adjusting	1
0		NUT, 3/8" - 16 Hex. }	
1		LOCKWASHER, 1/2" Shakeproof } Arm to Front and Rear Side Rails	4
2		NUT, 1/2" - 20 Hex. }	
3	142770	HOUSING ASSEMBLY, Flywheel Bearing	1
		Consists of Housing which is not serviced separately plus items listed below:	
4	7W-4616	CUP, Bearing	1
5	B-1202	CUP, Bearing	1
		FITTING, Lube Vented	1
	143544	BOLT, 5/8" - 18 x 4-1/4" Hex. Hd. }	1
		BOLT, 5/8" - 18 x 4" Hex. Hd. } Housing to Front and Rear Side Rail	2
		LOCKWASHER, 5/8" Shakeproof }	6
		NUT, 5/8" - 18 Hex. }	3
6	141305	CONE, Bearing	1
7	9N-750-B	SEAL, Bearing Oil	1
8	141326	CONE, Bearing	1
9	141327	WASHER, Flat	
0		NUT, 5/8" - 18 Hex. Slotted } Flywheel to Housing	1
		COTTER PIN, 1/8" x 1 }	
1	142619	CAP, Flywheel Bearing Housing	1
2	142601	PIN, Drawbar, Long, Left (14-15, 16 and 59 only) (4-11/16" Long)	1
	145743	PIN, Drawbar, Long, Left (14-67 only) (5-1/4" Long)	1
		SET SCREW, 3/8" - 16 x 1" Sq. Hd. Cup Pt. } Drawbar Pin to	
		NUT, 3/8" - 16 Hex. Jam } Bearing Housing	1
3	142720	FLYWHEEL and PITMAN PIN ASSEMBLY	1
		Consists of Flywheel which is not serviced separately plus Pitman Pin listed below:	
4	141315	PIN, Pitman	1
5	142774	PITMAN BOX and BUSHING ASSEMBLY	1
		Consists of Box which is not serviced separately plus items listed below:	
	142617	BUSHING	1
6	8M-1217	CUP, Pitman and Flywheel Pin	2
	141323	LOCK RING	1
7		FITTING, Lube, 1/4" - 28-1/2" Str.	2
8	8M-1216	CONE, Pitman and Flywheel Pin	2
9	141322	SEAL, Pitman Pin Bearing Oil	1
0	351505-S8	WASHER, .65 x 1.25 x .15 Flat	
1		NUT, 5/8" - 18 Hex. Slotted } Pitman Pin to Box	1
2		COTTER PIN, 1/8" x 1 }	
3	142618	CAP, Pitman Pin Dust	1

REAR ATTACHED *Mowers*

MODELS 14-15, 16, 59, 67 and 73

FIG. 7	PART NO.	NAME AND DESCRIPTION	QTY. REQ.
Group 1-1B — MAIN DRIVE (Models 14-15, 16, 59, 67 and 73) (Cont'd)			
--	142681	UNIVERSAL ASSEMBLY, TRACTOR END (Blood Bros.) (w/Sq. Shaft)	1
34	148141	UNIVERSAL ASSEMBLY, TRACTOR END (Blood Bros.) (w/Sq. Shaft) (14-73 only)	1
		Consists of:	
--	142790	YOKE, Square Shaft and Ball Assembly	1
34A	148142	YOKE, Square Shaft and Ball Assembly (used on 14-73 only)	1
--	143516	YOKE, 1-3/8" Spline	1
34B	142796	YOKE, 1-1/8" - 6 Spline	1
35	141132	BEARING and JOURNAL ASSEMBLY (Service Kit)	1
		Consists of Center Cross plus:	
36		FITTING, Lube 1/4 - 28 x 3/4", 90°	1
37	143538	WASHER, Cork	4
38	142787	RETAINER	4
39	142788	BEARING, Universal Joint	4
40	142789	RING, Snap	4
--	145601	UNIVERSAL ASSEMBLY, TRACTOR END (Spicer w/Sq. Shaft)	1
--	148136	UNIVERSAL ASSEMBLY, TRACTOR END (Spicer w/Sq. Shaft) (14-73 only)	1
		Consists of:	
--	145602	YOKE, Square Shaft and Ball Assembly	1
--	148137	YOKE, Square Shaft and Ball Assembly (14-73 only)	1
--	145603	YOKE, 1-1/8" - 6 Spline	1
41	141204	BEARING and JOURNAL ASSEMBLY (Service Kit)	1
		Consists of Center Cross plus:	
42	140055	GASKET	4
43	140331	RETAINER	4
44	140059	BEARING, Universal Joint	4
45	140277	RING, Snap	4
46		PIN, Clevis, 5/16" x 2-1/16" } Front Universal Joint to Tractor PTO	1
47		COTTER PIN, 1/8" x 3/4" }	
48	142680	UNIVERSAL ASSEMBLY, MOWER END (Blood Bros.) (Tubular Shaft)	1
--	148139	UNIVERSAL ASSEMBLY, MOWER END (Blood Bros.) (Tubular Shaft) (14-73 only)	1
		Consists of:	
49	141131	YOKE (w/Splined Shaft)	1
50	148140	YOKE (w/Tubular Shaft) (14-73 only)	1
--	142780	YOKE (w/Tubular Shaft)	1
35	141132	BEARING and JOURNAL ASSEMBLY (Service Kit)	1
		Consists of Center Cross plus:	
36		FITTING, Lube, 1/4 - 28 x 25/32", 90°	1
37	143538	WASHER, Cork	4
38	142787	RETAINER	4
39	142788	BEARING, Universal Joint	4
40	142789	RING, Snap	4
--	145608	UNIVERSAL ASSEMBLY, MOWER END (Spicer) (Tubular Shaft)	1
--	148134	UNIVERSAL ASSEMBLY, MOWER END (Spicer) (Tubular Shaft) (14-73 only)	1
		Consists of:	
--	145609	YOKE (w/Tubular Shaft)	1
--	148135	YOKE (w/Tubular Shaft) (14-73 only)	1
--	141203	YOKE (w/Splined Shaft)	1
41	141204	BEARING and JOURNAL ASSEMBLY (Service Kit)	1
		Consists of Center Cross plus:	
42	140055	GASKET	4
43	140331	RETAINER	4
44	140059	BEARING, Universal Joint	4
45	140277	RING, Snap	4
50A	145747	ADAPTER ASSEMBLY, P.T.O. (14-67 Only)	1
		Consists of Adapter plus:	
50B		BOLT, 5/16 - 24 x 2-1/4" Hex Hd. } Adapter to Tractor	1
--		LOCKWASHER, 5/16" }	
50C		NUT, 5/16" - 24 Hex. Hd. }	

REAR ATTACHED *Mowers*

MODELS 14-15, 16, 59, 67 and 73

FIG. 7	PART NO.	NAME AND DESCRIPTION	QTY. REQ.
Group 1-1B—MAIN DRIVE (Models 14-15, 16, 59, 67 and 73)(Cont'd)			
51	142771	HOUSING ASSEMBLY, Drive Sheave Bearing. Consists of Housing which is not serviced separately plus items listed below:	1
52	141228	CUP, Bearing	2
	300006	FITTING, Lube (Vented)	1
--	142684 <i>ju</i>	SHEAVE, Drive (9.75 OD)	1
53	141229	CONE, Drive Sheave Bearing	2
54	141230	SEAL, Drive Sheave Bearing Oil	2
55	146912	SHEAVE, Drive (8.50 OD)	1
56	142685	GASKET, Drive Sheave, Cork	1
57	141235	WASHER, Flat	
58		NUT, 5/8" - 18 Hex. Slotted } Sheave to Shaft	1
59		COTTER PIN, 1/8" x 1"	
60	142689*	V-BELT, Main Drive (47-1/4" Long) (Use with Sheave 142684)	1
--	146919**	V-BELT, Main Drive (45-3/4" Long) (Use with Sheave 146912)	1
61	142686	PLATE, Lock	1
62		BOLT, 5/8" - 18 x 4" Hex. Hd.	
63		WASHER, 5/8" Flat	
64		LOCKWASHER, 5/8" Shakeproof } Lock Plate and Bearing Housing	
65		NUT, 5/8" - 18 Hex. } to Side Rails	2
--	142623	PITMAN ASSEMBLY	1
		Consists of:	
66	142625	TUBE, Pitman	1
67	142626	YOKE, Pitman	1
--	142627	STRAP, Pitman, Right	1
--	142628	STRAP, Pitman, Left	1
--	142629	SPRING, Pitman Adjusting	1
See Fig.		FITTING, 1/4" - 28 x 1/2" Str. - Lube - Pitman	1
14	142633	BOLT, 1/2" - 20 x 2-3/4" Carr.	
		NUT, 1/2" - 20	
68	142630	PIN, Pitman Wrist	1
69	142631	BOLT, 3/8" - 24 x 1-5/8" Special	
70		LOCKWASHER, 3/8" } Pitman to Wrist Pin	2
71	142632	NUT, 3/8" - 24	
72	142604	BRACKET, Cable Sheave	1
73	142609	BOLT, 5/8" - 18 x 4" Hex. Hd. } Bracket to Front and Rear	
74		LOCKWASHER, 5/8" Shakeproof } Side Rails	3
75		NUT, 5/8" - 18 Hex.	
76	142605	PIN, Drawbar, Short Right (14-15, 16 and 59 Only)	1
--	145744	PIN, Drawbar, Short Left (14-67 Only)	
77		SET SCREW, 3/8" - 16 x 1" } Drawbar Pin to Bracket	1
--		NUT, 3/8" - 16 Jam	
78	142606	PIN, Cable Sheave	1
79		SET SCREW, 3/8" - 16 x 1-1/2" Sq. Hd. Cup Pt. Cable Sheave Pin to Brkt.	1
80		NUT, 3/8" - 16 Jam	
81	142611	SHEAVE ASSEMBLY, Cable Consists of Sheave which is not serviced separately plus Fitting listed below:	1
82		FITTING, Lube, 1/4" - 28 x 1/2" Str.	1
83		WASHER, 1" Flat	
84		COTTER PIN, 3/16" x 1-1/2" } Cable Sheave to Pin	1
85	142608	GUARD, Grass	1
86	142716	GUARD, Belt	1
87	142725	BRACKET, Belt Guard	1
88		SCREW, 1/4" - 28 x 7/16" } Belt Guard to Bracket	2
89		LOCKWASHER, 1/4"	
90		BOLT, 5/16" - 24 x 1" Hex Hd. }	
91		LOCKWASHER, 5/16" } Belt Guard to Side Rail	1
92		NUT, 5/16" - 24 Hex.	
--	142715	DECAL, Caution	As Req.

*Used prior to Serial No. 14-15-62070 and 14-16-42530.

**Used effective with Serial No. 14-15-62070 and 14-16-42530 to reduce Sickle Speed.

REAR ATTACHED *Mowers*

MODELS 14-15, 16, 59, 67 and 73

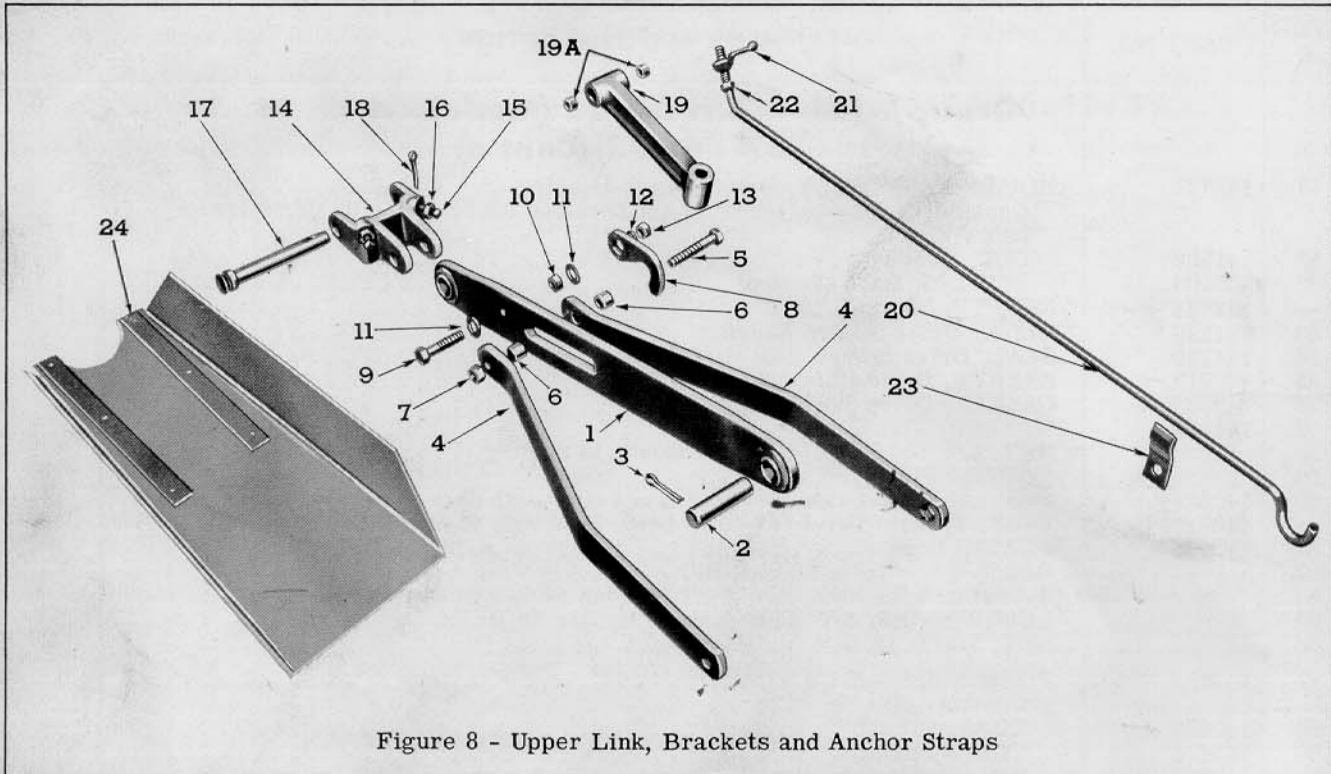


Figure 8 - Upper Link, Brackets and Anchor Straps

FIG. 8	PART NO.	NAME AND DESCRIPTION	QTY. REQ.		
			14-15, 16, 59	14-67	14-73
Group 1-2—UPPER LINK, BRACKETS AND ANCHOR STRAPS					
-	141245	PIN, Upper Link - Used after Tractor Serial #298562	1	-	-
1	147061	LINK, Upper (Welded Assembly)	1	-	-
-	145737	LINK, Upper (Welded Assembly)	-	1	-
2	142710	PIN, 7/8" x 3" Drilled Ends } Upper Link to Arm	2	1	2
-	303943	PIN, 3/4" x 3-3/4" Drilled } Upper Link to Arm	-	1	-
-	145745	SPACER, .810 I.D. x 1 O.D. x 7/8" Tube	-	2	-
-		WASHER, 3/4" Flat	-	3	-
3		COTTER PIN, 1/4" x 1-1/2" Pin	2	1	2
4	142622	STRAP, Anchor	2	2	2
5		BOLT, 1/2" - 20 x 2-3/4" Hex. Hd.	1	1	-
6	142666	SPACER, .509 I.D. x .743 O.D. x .570 (For use with 11" Tires)	3	3	2
-	147664	SPACER, 1/2 I.D. x 1-7/8 O.D. x 5/8 (For use with 10" tires)..	2	2	2
-		LOCKWASHER, 1/2" } Anchor Straps to Upper Link	1	1	2
7		NUT, 1/2" - 20 Hex. } Anchor Straps to Upper Link	1	1	1
8	142708	HOOK, Upper Link	1	1	1
9		BOLT, 1/2" - 20 x 2-1/4" Hex. Hd.	1	1	1
10	142709	SPACER, 33/64" I.D. x 3/4" O.D. x 11/32" } Hook to Link	1	1	1
11		WASHER, 1/2" Flat } Hook to Link	2	2	2
12		LOCKWASHER, 1/2" } Hook to Link	1	1	1
13		NUT, 1/2" - 20 Hex. } Hook to Link	1	1	1
14	141242	BRACKET, Upr Link - Used Prior to Trac. Serial No. 298562 .	1	-	-
--	141244	BRACKET, Upr Link - Used After Tractor Serial No. 298562 .	1	-	-
15		SET SCREW, 7/16" - 14 x 1-3/4 Sq.Hd. } Pin to Bracket.	2	2	-
16		NUT, 7/16" - 14 Hex. Jam } Pin to Bracket.	2	2	-
17	142711	PIN, Upper Link - Used Prior to } Bracket to Tractor	1	-	-
18		Tractor Serial No. 298562 } Bracket to Tractor	1	-	-
19	142712	COTTER PIN, 1/4" x 1-1/2" } Bracket to Tractor	1	-	-
19A	146273	BRACKET, Extension	2	2	2
20	142693	SPACER, .834 I.D. x 1 O.D. x 17/32 Tube - Ext. Brkt	-	2	-
		ROD ASSEMBLY, Transport	1	1	1
		Consists of Rod which is not serviced separately plus items listed below:			
21	141653	HANDLE, Transport Rod	1	1	1
22		NUT, 1/2" - 13 Hex. - Handle Stop	1	1	1
23	147064	CLIP, Transport Rod to Fender	2	2	2
24	142696	SHIELD, Universal Joint	1	1	-

REAR ATTACHED *Mowers*

MODELS 14-1, 2, 9, 10, 15, 16, 59, 67 and 73

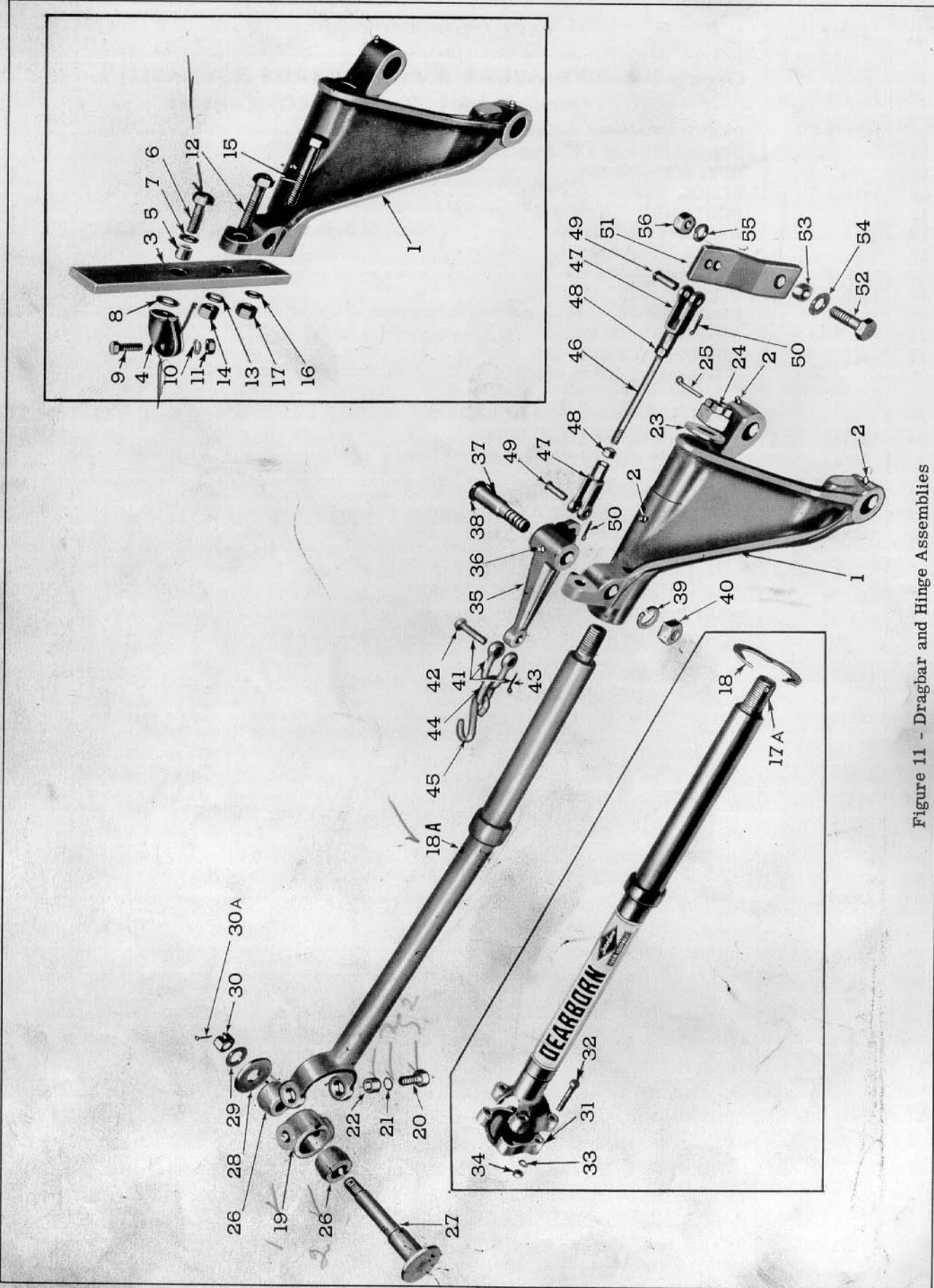


Figure 11 - Dragbar and Hinge Assemblies

REAR ATTACHED *Mowers.*

MODELS 14-1; 2, 9, 10, 15, 16, 59, 67 and 73

FIG. 11	PART NO.	NAME AND DESCRIPTION	QTY. REQ.		
			14-1,2	14-9, 10	14-15, 16, 59, 67, 73
Group 1-5—DRAGBAR AND HINGE ASSEMBLIES					
1	141149	HINGE ASSEMBLY Consists of Hinge which is not serviced separately plus Fitting listed below:	1	1	1
2		FITTING, Lube, 1/4" - 28 x 1/2" Str.	3	3	3
-	141172#	WASHER, 1-1/4 x 2-1/16 x 1/8 Flat - Hinge to Shoe Spacer.	2	-	-
3	142691	LEVER, Tilt	1	1	1
-		YOKE ASSEMBLY, Tilt Lever (NS-Use Components) Consists of:	1	1	1
4	141659	YOKE	1	1	1
5	141660	SPACER, 5/8" I.D. x 7/8" O.D. x .640 Tube	1	1	1
6		BOLT, 5/8" - 11 x 1-5/8" Hex. Hd. } Tilt Lever Yoke . . .	1	1	1
7		LOCKWASHER, 5/8"			
8		WASHER, 5/8" Flat			
-		PIN and CHAIN ASSY., Tilt Link Anchor (NS-Use Components) Consists of:	1	1	-
-		BOLT, 1/2" - 20 x 1-1/2" Hex. Hd. } Anchor Pin	1	1	-
-		LOCKWASHER, 1/2"			
-		NUT, 1/2" - 20 Hex.			
-	142210	CHAIN ASSEMBLY	1	1	-
-		COTTER PIN, 1/8" x 1"	1	1	-
-	141661	PIN, Hair - Anchor Pin to Tilt Link	1	1	-
9		BOLT, 1/2" - 20 x 1-1/2" Hex. Hd. } Yoke to Tilt Link	-	-	1
10		LOCKWASHER, 1/2"			
11		NUT, 1/2" - 20 Hex.			
12		BOLT, 5/8" - 18 x 2-1/2" Hex. Hd. } Tilt Lever to Hinge . . .	1	1	1
13		LOCKWASHER, 5/8"			
14		NUT, 5/8" - 18 Hex.			
15		BOLT, 5/8" - 18 x 3-1/2" Hex. Hd. } Tilt Lever to Hinge . . .	1	1	-
16		LOCKWASHER, 5/8"			
17		NUT, 5/8" - 18 Hex.			
17A	142654	DRAGBAR (Welded Assembly)	-	-	1
18	142667	WASHER, Dragbar Adjusting	-	-	1
18A	141153	DRAGBAR (Welded Assembly)	1	1	-
19	141422	EYE, Dragbar	1	1	-
--	141050*	EYE, Dragbar	1	-	-
--	141051*	SPACER, Dragbar Yoke	1	-	-
20		BOLT, 5/8" - 18 x 1-5/8" Hex. Hd. } Eye to Dragbar	2	2	-
21		LOCKWASHER, 5/8" External			
22	141423	SPACER, 5/8" I.D. x 1 O.D. x 3/4" Tube			
23	141426	WASHER, .115 I.D. x 2.25 O.D. x 1/4" Flat } Dragbar	1	1	1
24		NUT, 1-1/8" - 12 Castle			
25		COTTER PIN, 3/16" x 1-1/2" } Retaining			
26	141395	BUSHING, Dragbar Eye (Rubber)	2	2	-
--	141388*	ANCHOR PIN, Dragbar (Welded Assembly)	1	-	-
27	141683†	ANCHOR PIN, Dragbar (Welded Assembly)	1	1	-
* Used on Model 14-1 prior to Serial No. 1095 and Model 14-2 prior to Serial No. 1062.					
† Effective with Serial No. 1095 for 14-1 and Serial No. 1062 for 14-2.					
# For use from Serial No. 14-1-27282 thru 27727 and Serial No. 14-2-27535 thru 27951.					

REAR ATTACHED *Mowers*

MODELS 14-1, 2, 9, 10, 15, 16, 59, 67 and 73

FIG. 11	PART NO.	NAME AND DESCRIPTION	QTY. REQ.			
			14-1,2	14-9, 10	14-15, 16, 59, 67, 73	
Group 1-5 — DRAGBAR AND HINGE ASSEMBLIES (Cont'd)						
28	141689†	WASHER, 1" I.D. - 3" O.D. Flat	1	1	-	
--	*	WASHER, 3/4" Flat	1	-	-	
29	†	WASHER, 7/8" Flat	1	1	-	
--	141390*	WASHER, 7/8" I.D. - 3" O.D. Flat	1	-	-	
30		NUT, 7/8" - 14 Hex. Slotted	1	1	-	
30A		COTTER PIN, 1/8" - 1-1/4"	1	1	-	
See						
Fig.7	142620	CUP, Dragbar, Ball, Neoprene	-	-	-	1
31	142699	CUP, Dragbar, Outer	-	-	-	1
32		BOLT, 3/8" - 24 x 2 Hex. Hd. } Cup to Dragbar	-	-	-	4
33		LOCKWASHER, 3/8" }				
34		NUT, 3/8" - 24 Hex. }				
--	142662	LEVER ASSEMBLY, Hinge Lift	-	-	-	1
--	141405	LEVER ASSEMBLY, Hinge Lift	1	-	-	1
35	141170	LEVER ASSEMBLY, Hinge Lift Consists of Lever which is not serviced separately plus items listed below:	-	1	-	-
36		FITTING, Lube, 1/4" - 28 x 1/2" Str.	1	1	-	1
--	142664	LINER	-	-	-	1
--	142665	BUSHING, 11/16" x 1" x 5/8" Tube	-	-	-	1
--	141413	SHAFT ASSEMBLY, Hinge Lift Lever	1	-	-	-
37	141178	SHAFT ASSEMBLY, Hinge Lift Lever Consists of Shaft which is not serviced separately plus Snap Ring listed below:	-	1	-	1
--	141415	SNAP RING	1	-	-	-
38	141196	SNAP RING	-	1	-	1
--		COTTER PIN, 3/16" x 1-1/2" } Shaft Retaining	1	-	-	-
--	141199	WASHER, 1-3/16" Flat	-	-	-	1
39		LOCKWASHER, 1"	-	1	-	1
40		NUT, 1" - 14 Hex.	-	1	-	1
41	141381	CLEVIS ASSEMBLY, Chain Consists of Clevis which is not serviced separately plus items listed below:	1	1	-	-
42		PIN, 1/2" x 1-15/16" Clevis	1	1	-	-
43		COTTER PIN, 1/8" x 1" - Pin to Clevis	1	1	-	-
44	141528	LINK, Chain	1	1	-	-
45	141412	HOOK, Balance Spring	1	1	-	-
46	141408	LINK, Lift	1	1	-	1
47	141409	YOKE				
48		NUT, 1/2" - 20 Hex. } Lift Link	2	2	-	2
49	141427	PIN, Clevis } Lever to Linkage				
50		COTTER PIN, 1/8" x 1" } and Link to Lever	2	2	-	-
--		BOLT, 1/2" - 20 x 1-5/8" Hex. Hd. } Lift Link Yoke				
--	142666	SPACER, .508 I.D. x .743 O.D. x .570 Tube } to Hinge Lift				
--		LOCKWASHER, 1/2" } Lever and Inner				
--		NUT, 1/2" - 20 Hex. Jam } Shoe Lift Lever.	-	-	-	2
* Used on Model 14-1 prior to Serial No. 1095 and Model 14-2 prior to Serial No. 1062.						
† Effective with Serial No. 1095 for 14-1 and Serial No. 1062 for 14-2.						

REAR ATTACHED *Mowers*

MODELS 14-1, 2, 9, 10, 15, 16, 59, 67 and 73

FIG. 11	PART NO.	NAME AND DESCRIPTION	QTY. REQ.		
			14-1,2	14-9, 10	14-15, 16, 59, 67, 73
Group 1-5—DRAGBAR AND HINGE ASSEMBLIES (Cont'd)					
51	141032	LEVER, Lift	1	1	-
--	142639	LEVER, Lift	-	-	1
52		BOLT, 5/8" - 18 x 2 Hex. Hd.			
53	141033	SPACER, 5/8" I.D. x 7/8" O.D. x .54 Tube			
54		WASHER, 5/8" Flat			
55		LOCKWASHER, 5/8"			
56		NUT, 5/8" - 18 Hex.			
			} Lift Lever to Inner Shoe . . .	1	1

REAR ATTACHED *Mowers*

MODELS 14-1, 2, 9, 10, 15, 16, 59, 67 and 73

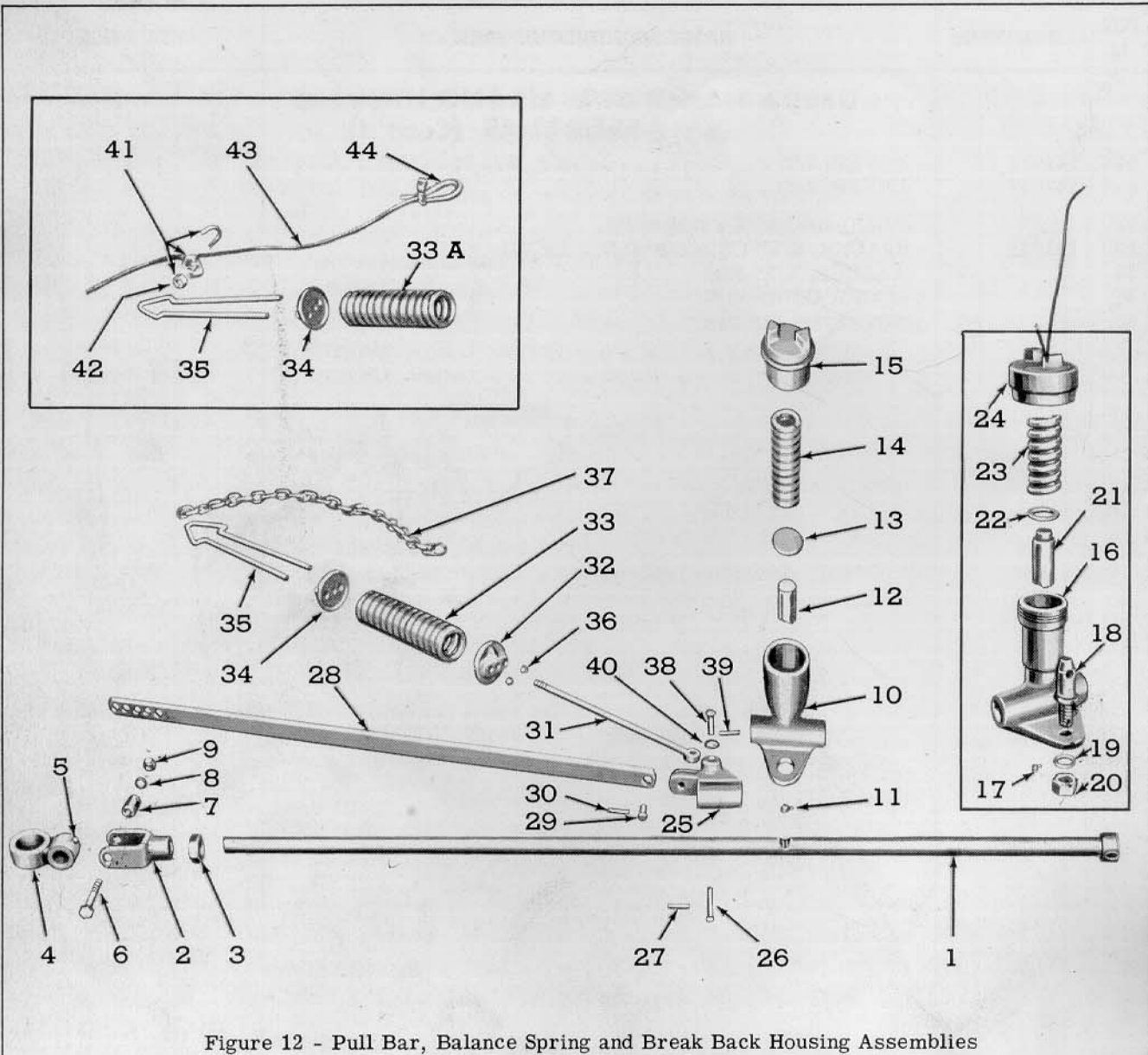


Figure 12 - Pull Bar, Balance Spring and Break Back Housing Assemblies

FIG. 12	PART NO.	NAME AND DESCRIPTION	QTY. REQ.		
			14-1, 2	14-9, 10	14-15, 16, 59, 67, 73
		Group 1-6—PULL BAR, BALANCE SPRING, AND BREAK BACK HOUSING ASSEMBLIES			
-	145746	PULL BAR (Welded Assembly) (14-67 Only)	-	-	1
1	142675	PULL BAR (Welded Assembly) (14-15, 16, 59 and 73 Only) . .	-	-	1
-	141602	PULL BAR (Welded Assembly)	1	1	-
-	143462*	SPACER, 1.157 I.D. x 1-3/8" O.D. x 3-17/32" (14-67 Only) . . .	-	-	1
2	141615	YOKE, Pull Bar (Welded Assembly)	1	1	-
-	142775	YOKE, Pull Bar (Welded Assembly)	-	-	1
3		NUT, 1-1/8" - 12 Jam - Pull Bar Yoke Retaining	1	1	1
-	142658	EYE ASSEMBLY, Pull Bar	-	-	1
4	141424	EYE ASSEMBLY, Pull Bar	1	1	-
		Consists of Eye which is not serviced separately plus Fitting listed below:			
5		FITTING, Lube, 1/4" - 28 x 1/2" Str.	1	1	1

* Used effective with Serial No. 14-67-1298.

REAR ATTACHED *Mowers*

MODELS 14-1, 2, 9, 10, 15, 16, 59, 67 and 73

FIG. 12	PART NO.	NAME AND DESCRIPTION	QTY. REQ.		
			14-1, 2	14-9, 10	14-15, 16, 59, 67, 73
		Group 1-6 — PULL BAR, BALANCE SPRING, AND BREAK BACK HOUSING ASSEMBLIES (Cont'd)			
6	300013	BOLT, 1/2" - 20 x 2-11/16" Hex. Hd.	1	1	1
-	142677	SPACER, 1/2" I.D. x 1-1/4" O.D. x 1-1/2" Tube	-	-	1
7	141618	SPACER, 1/2" I.D. x 1" O.D. x 1-1/2" Tube	1	1	-
8		LOCKWASHER, 1/2"	1	1	1
9		NUT, 1/2" - 20 Hex.	1	1	1
10	141605	HOUSING ASSEMBLY, Break Back Consists of Housing which is not serviced separately plus Fitting listed below:	1	-	-
11		FITTING, Lube, 1/4" - 28 x 25/32", 90°	1	-	-
12		PLUNGER, Break Back (Not Serviced - Use 141183)	1	-	-
13	141608	DISC, Break Back Plunger	1	-	-
14	141609	SPRING, Break Back	1	-	-
15	141610	CAP, Break Back Adjusting	1	-	-
16	141240	HOUSING ASSEMBLY, Break Back Consists of Housing which is not serviced separately plus Fitting listed below:	-	1	1
17		FITTING, Lube, 1/4" - 28 x 25/32", 90°	-	1	1
18	141185	PIN, Shoulder, 7/8" x 3-1/8"	-	1	1
19		LOCKWASHER, 5/8" } Shoulder Pin to Housing	-	1	1
20		NUT, 5/8" - 18 Hex. }			
21	141183	PLUNGER, Break Back	1	1	1
22		WASHER, 3/4" Flat - Break Back Plunger	-	1	1
23	141182	SPRING, Break Back	-	1	1
24	141184	CAP, Break Back Adjusting	-	1	1
25	141612	BRACKET, Pull Bar	1	1	1
26		PIN, Clevis, 1/2" x 1-3/4" } Bracket to Pull Bar	1	1	1
27		COTTER PIN, 1/8" x 1 }			
28	141657	LINK, Tilt	1	1	-
--	142692	LINK, Tilt	-	-	1
29		PIN, Clevis, .493 x 1.16, Tilt Link to Pull Bar Bracket	1	1	1
--	141427	PIN, Clevis	-	-	1
30		COTTER PIN, 1/8" x 1", Tilt Link to Pull Bar Bracket	1	1	1
31	141631	ROD, Balance Spring End	1	1	1
32	141628	CAP, Spring Retainer - Plain	1	1	1
33	141630	SPRING, Balance	1	1	-
33A	142773	SPRING, Balance	-	-	1
34	141629	CAP, Spring Retainer - Threaded	1	1	1
35	141627	U-BOLT, 3/8" - 16	1	1	1
36		NUT, 3/8" - 16 Hex.	2	2	2
37	141626	CHAIN, 1/2" x 1, 29 Links	1	1	-
38	141619	PIN, 3/8" x 1-7/8" Clevis } Balance Spring Assembly to			
39		COTTER PIN, 1/8" x 1 } Pull Bar Bracket	1	1	1
40		WASHER, 1/2" Flat }			
41	140116	CLAMP ASSEMBLY, Cable Consists of Brackets and U-Bolts which are not serviced separately plus Nuts listed below:	-	-	2
42		NUT, 5/16" - 18 Hex.	-	-	4
43	142727	CABLE, 5/16" Dia. x 38" - Balance Spring	-	-	1
44	140214	THIMBLE, Cable, Lift Link	-	-	1

REAR ATTACHED *Mowers*

MODELS 14-1, 2, 9, 10, 15, 16, 59, 67 and 73

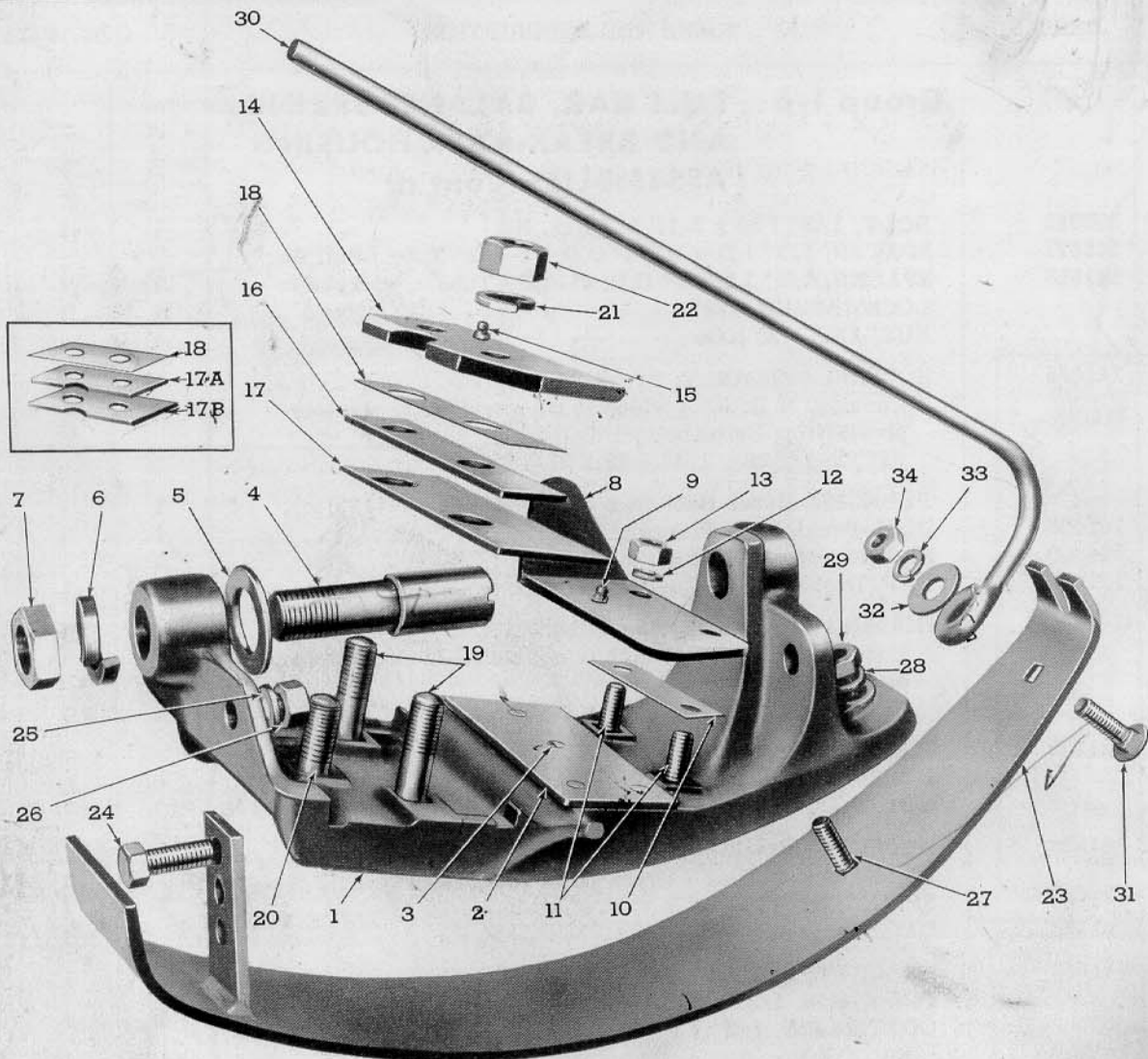


Figure 13 - Inner Shoe Assembly

FIG. 13	PART NO.	NAME AND DESCRIPTION	QTY. REQ.		
			14-1, 2	14-9, 10	14-15, 16, 59, 67, 73
Group 1-7 — INNER SHOE ASSEMBLY					
1	141156	SHOE ASSEMBLY, Inner (Riveted). Consists of Shoe which is not serviced separately plus items listed below:	1	1	1
2	142572	PLATE, Inner Shoe Ledger	1	1	1
3		RIVET, 3/16" x 7/8" - Plate to Shoe	4	4	4
-		FITTING, Lube, 1/4" - 28 x 3/4", 45°	1	1	1
-		FITTING, Lube, 1/4" - 28 x 1/2" Str.	1	1	1
-	141039*	PIN ASSEMBLY, Hinge Consists of Pin which is not serviced separately plus Snap Ring listed below:	2	-	-
-	141041*	SNAP RING	2	-	-
-		COTTER PIN, 3/16" x 1-1/2" - Pin to Hinge	2	-	-
4	141158	PIN, Hinge (For use with 141156 Shoe Assembly Only)	1	2	2
* For use on Models 14-1, 2 when old Shoe Assembly 141026 was used.					

REAR ATTACHED *Mowers*

MODELS 14-1, 2, 9, 10, 15, 16, 59, 67 and 73

FIG. 13	PART NO.	NAME AND DESCRIPTION	QTY. REQ.		
			14-1, 2	14-9, 10	14-15, 16 59, 67, 73
Group 1-7—INNER SHOE ASSEMBLY (Cont'd)					
5	141199	WASHER, 1-3/16" Flat	}	Hinge Pin to Hinge	2
6		LOCKWASHER, 1"			
7		NUT, 1" - 14 Hex.			
8	141029	GUIDE ASSEMBLY, Front Knife	1	1	1
Consists of Guide which is not serviced separately plus Fitting listed below:					
9		FITTING, Lube, 1/4" - 28 x 1/2" Str.	1	1	1
10	141031	SHIM, Front Knife Guide	As Req.	As Req.	As Req.
11		BOLT, 7/16" - 20 x 1-1/2" Carr. } Front Knife Guide to	}	Inner Shoe	2
12		LOCKWASHER, 7/16"			
13		NUT, 7/16" - 20 Hex.			
14	142640	GUIDE ASSEMBLY, Rear Knife	-	-	1
--	141034	GUIDE ASSEMBLY, Rear Knife	1	1	-
Consists of Guide which is not serviced separately plus Fitting listed below:					
15		FITTING, Lube, 1/4" - 28 x 1/2" Str.	1	1	1
16	141037	SHIM, Rear Knife Guide, 1-1/4" x 9-3/8" Flat	2	2	-
17	141036	PLATE, Inner Wear	1	1	-
17A	142642	PLATE, Inner Wear	-	-	1
17B	142643	PLATE, Inner Wear	-	-	1
			As Req.	As Req.	As Req.
18	141038	SHIM, 1-1/4" x 9-3/8" Flat	2	2	2
19		BOLT, 5/8" - 18 x 2-1/2" Carr. } Rear Knife Guide and	}	Cutter Bar to Inner Shoe.	1
20	300061	BOLT, 5/8" - 18 x 1-3/4" Carr.			
21		LOCKWASHER, 5/8"			
22		NUT, 5/8" - 18 Hex.	3	3	3
23	141675	SOLE, Inner Shoe (Welded Assembly).	1	1	1
24		BOLT, 7/16" - 20 x 1-1/2" Hex. Hd. } Sole to Inner Shoe . .	}	1	1
25		LOCKWASHER, 7/16"			
26		NUT, 7/16" - 20 Hex.			
27		BOLT, 1/2" - 20 x 1-1/4" Hex. Hd. } Sole to Inner Shoe . . .	}	1	1
28		LOCKWASHER, 1/2"			
29		NUT, 1/2" - 20 Hex.			
30	141655	ROD, Grass	1	1	1
31		BOLT, 7/16" - 20 x 1-1/2" Carr. } Grass Rod to Sole	}	1	1
32		WASHER, 7/16" Flat			
33		LOCKWASHER, 7/16"			
34		NUT, 7/16" - 20 Hex.			

REAR ATTACHED *Mowers*

MODELS 14-1, 2, 9, 10, 15, 16, 59, 67 and 73

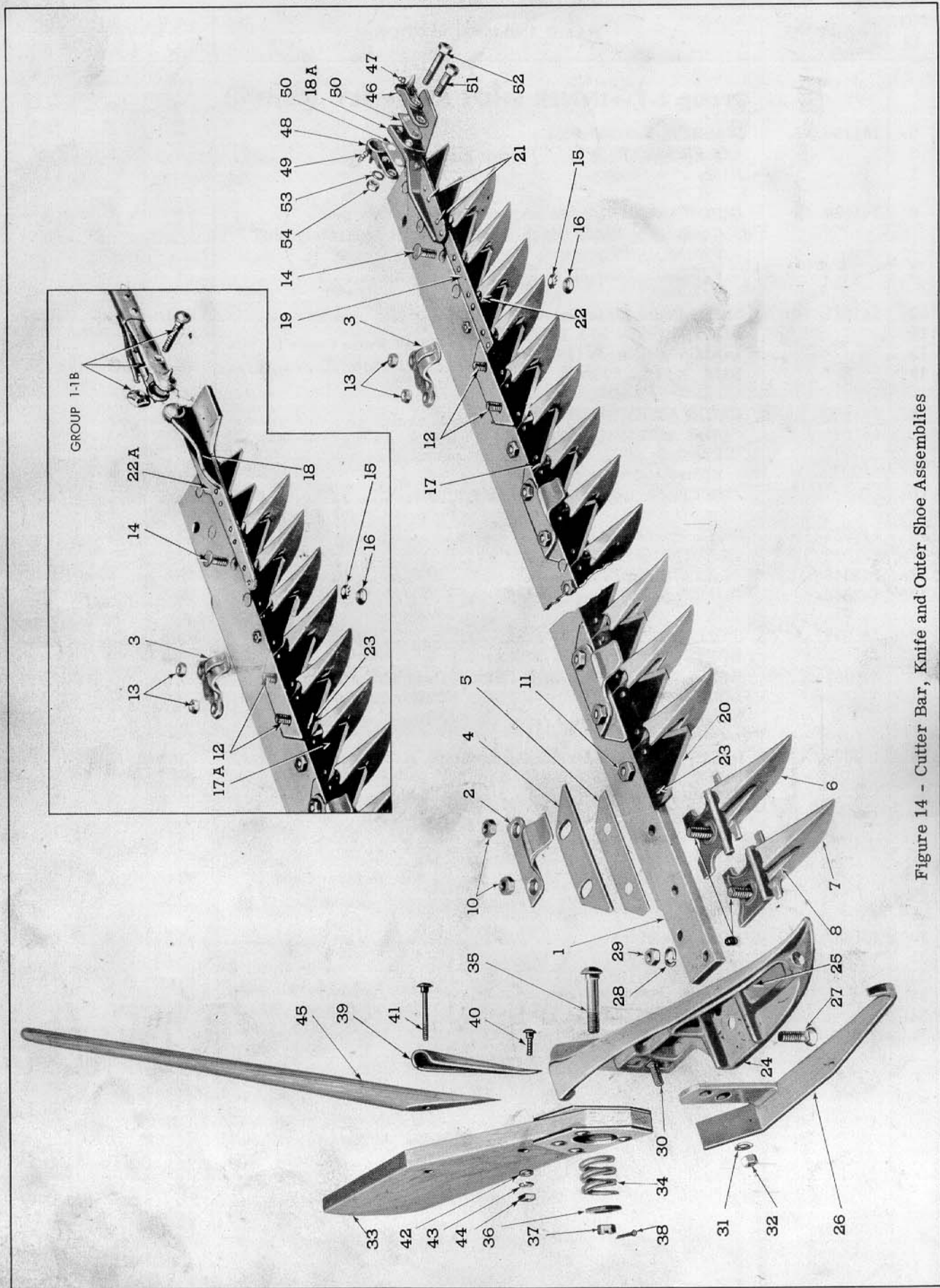


Figure 14 - Cutter Bar, Knife and Outer Shoe Assemblies

REAR ATTACHED *Mowers*

MODELS 14-1, 2, 9, 10, 15, 16, 59, 67 and 73

FIG. 14	PART NO.	NAME AND DESCRIPTION	QTY. REQ.					
			14-1-9	14-2-10	14-15, 63	14-16, 66	14-62	14-65
Group 1-8A — CUTTER BAR, KNIFE AND OUTER SHOE ASSEMBLIES								
1	140474	BAR, Cutter, 6'	1	-	1	-	1	-
-	140475	BAR, Cutter, 7'	-	1	-	1	-	1
2	142726	CLIP, Knife - Plain	5	6	5	6	5	6
3	141008	CLIP, Knife - Inner	1	1	1	1	1	1
4	141021	PLATE, Wear	6	7	6	7	6	7
5	141015	SHIM, .050	6	7	6	7	6	7
6	141009	GUARD ASSEMBLY, Rock (Model 14-15A - Qty. of 22 or 26).	--	--	--	--	22	26
-	140470	GUARD ASSEMBLY, Plain	22	26	22	26	--	--
7	141013	GUARD ASSEMBLY, Rock - Outer (Model 14-16A - Qty. of 1)	-	-	-	-	1	1
-	140472	GUARD ASSEMBLY, Plain - Outer	1	1	1	1	-	-
		Consists of Guard which is not serviced separately plus items listed below:						
8	142570	PLATE, Ledger	23	27	23	27	23	27
-	141012	RIVET, Ledger Plate to Rock	23	27	23	27	23	27
9	300657	BOLT, 7/16" - 20 x 1-1/2", Plow } Plain Clip to						
10		NUT, 7/16" - 20 Hex. } Bar and Guard.	10	12	10	12	10	12
11	300655	BOLT, 7/16" - 20 x 1-1/4" Plow } Guard to Bar	9	11	9	11	9	11
11		NUT, 7/16" - 20 Hex. }						
12	300659	BOLT, 7/16" - 20 x 1-3/4" Plow } Inner Clip to						
13		NUT, 7/16" - 20 Hex. } Bar and Guard	2	2	2	2	2	2
14	300372	BOLT, 7/16" - 20 x 1-1/4" Plow, Rib Neck } Guard to						
15		LOCKWASHER, 7/16" Shakeproof } Bar	2	2	2	2	2	2
16	141044	NUT, 7/16" - 20 Hex. }						
17	141107	KNIFE ASSEMBLY, 6' Underserrated	1	-	-	-	-	-
17A	142668	KNIFE ASSEMBLY, 6' Underserrated	-	-	-	-	1	-
--	141108	KNIFE ASSEMBLY, 7' Underserrated	-	1	-	-	-	-
--	142669	KNIFE ASSEMBLY, 7' Underserrated	-	-	-	1	-	1
--	141137	KNIFE ASSEMBLY, 6' Plain	1	-	-	-	-	-
--	142713	KNIFE ASSEMBLY, 6' Plain	-	-	1	-	1	-
--	141138	KNIFE ASSEMBLY, 7' Plain	-	1	-	-	-	-
--	142714	KNIFE ASSEMBLY, 7' Plain	-	-	-	1	-	1
		Consists of:						
18	142670	HEAD, Knife	-	-	1	1	1	1
18A	141109	HEAD, Knife	1	1	-	-	-	-
--	141114	RIVET, Knife Head to Back .210" x .68"	2	2	-	-	-	-
19	141110	REINFORCEMENT, Knife Head	1	1	-	-	-	-
--	141111	BACK, Knife, 6'	1	-	1	-	1	-
--	141112	BACK, Knife, 7'	-	1	-	1	-	1
--	141113	SECTION, Underserrated Knife (Optional)	24	28	24	28	24	28
20	141682	SECTION, Plain Knife	24	28	24	28	24	28
--	141197	SECTION, Knife, Heavy Plain (.109) (Optional)	24	28	24	28	24	28
--	141198	SECTION, Knife, Heavy Serrated (.109) (Optional)	24	28	24	28	24	28
21	141115	RIVET, Knife Section to Back (.210 x 1.06)	5	5	-	-	-	-
22	141121	RIVET, Knife Sec. to Head and Rein. (.210 x .81)	6	6	3	3	3	3
22A	142673	RIVET, Knife Section to Head (.210 x 15/16")	-	-	7	7	7	7
23	141116	RIVET, Knife Section to Back (.210 x .56)	37	45	41	49	41	49
--	145642	RIVET ASSORTMENT - Repair						
		Consists of:						
--	141114	RIVET, .210" x .68"	2	2	2	2	2	2
--	141115	RIVET, .210" x 1.06"	6	6	6	6	6	6
--	141116	RIVET, .210" x .56"	49	49	49	49	49	49
--	141121	RIVET, .210" x .81"	6	6	6	6	6	6
--	142673	RIVET, .210" x 15/16"	7	7	7	7	7	7

REAR ATTACHED *Mowers*

MODELS 14-1, 2, 9, 10, 15, 16, 59, 67 and 73

FIG. 14	PART NO.	NAME AND DESCRIPTION	QTY. REQ.		
			14-1,9	14-2, 10	14-15, 16, 59, 67, 73
		Group 1-8B—OUTER SHOE AND SWATH-BOARD ASSEMBLIES(MODELS 14-1, 2, 9, 10, 15, 16, 59, 67, 73)			
24	143570	SHOE ASSEMBLY, Outer..... Consists of Shoe which is not serviced separately plus items listed below:	1	1	1
25	142571	PLATE, Ledger	1	1	1
--	141019	RIVET, .210 x 11/16" Plate to Shoe (Use w/Old Style			
--	141020	RIVET, .210 x 1-3/16" Shoe Assy. - Not Shown)	1	1	1
--	143566	RIVET, .212 x 13/16" } Shoe to Plate (Use w/143570)....	1	1	1
--	143567	RIVET, .212 x 1" }			
26	141022	SOLE, Outer Shoe (Welded Assembly).....	1	1	-
27	300657	BOLT, 7/16" - 20 x 1-1/2" Plow } Outer Shoe to			
28		LOCKWASHER, 7/16" } Cutter Bar	2	2	2
29		NUT, 7/16" - 20 Hex.			
--		BOLT, 7/16" - 14 x 2-1/4" Carr. } Sole to Outer			
--		LOCKWASHER, 7/16" } Shoe Assy.	-	-	1
--		NUT, 7/16" - 14 Hex.			
30		BOLT, 3/8" - 16 x 1-1/4" Carr. } Sole to Outer	1	1	-
31		LOCKWASHER, 3/8" } Shoe Assy.			
32		NUT, 3/8" - 16 Hex.			
--	142644	SWATHBOARD and FITTING ASSEMBLY	1	1	1
		Consists of:			
33	142645 1423F1	SWATHBOARD (Riveted Assembly)	1	1	1
34	140443*	SPRING, Swathboard	1	1	1
35	141246	BOLT, 1/2" - 13 x 2-3/4" Carr. } Swathboard and	1	1	1
36	141327	WASHER, 21/32" I.D. x 1-5/8" O.D. Flat } Spring to Outer	1	1	2
37		NUT, 1/2" - 13 Hex. Slotted } Shoe	1	1	1
38		COTTER PIN, 1/8" x 1"	1	1	1
39	142652	CLAMP, Grass Stick			
40		BOLT, 5/16" - 18 x 1-1/4" Carr. } Grass Stick and	1	1	1
41		BOLT, 5/16" - 18 x 2-1/2" Carr. } Clamp to Swathboard .	1	1	1
42		WASHER, 5/16" Flat	2	2	2
43		LOCKWASHER, 5/16"	2	2	2
44		NUT, 5/16" - 18 Hex.	2	2	2
45	142651	STICK, Grass (Not part of 142644).....	1	1	1
46	141117	SOCKET ASSEMBLY, Front Ball	1	1	-
		Consists of Socket which is not serviced separately plus Fitting listed below:			
47		FITTING, Lube, 1/4" - 28 x 3/4", 45°	1	1	-
48	141119	SOCKET ASSEMBLY, Rear Ball	1	1	-
		Consists of Socket which is not serviced separately plus Fitting listed below:			
49		FITTING, Lube, 1/4" - 28 x 3/4", 45°	1	1	-
50	141681	SHIM, 1" x 2-1/4" Flat	As Req.	As Req.	-
51		BOLT, 1/2" - 20 x 1-5/8" Hex. } Ball Socket to Knife Head .	1	1	-
52		BOLT, 1/2" - 20 x 2-1/4" Hex. }	1	1	-
53		LOCKWASHER, 1/2" }	2	2	-
54		NUT, 1/2" - 20 Hex.	2	2	-

* When replacing spring on units prior to Serial Numbers 14-1-3552, and 14-2-4016, order 140443 Spring plus 1-1/2"-13 x 2-1/2" Sq. Hd. Bolt, 1-141327 Washer and 1-1/2"-13 - Hex. Slotted Nut, and 1-1/8" x 1 Cotter Pin.

REAR ATTACHED *Mowers*

MODELS 14-1, 2, 9, 10, 15, 16 and 59

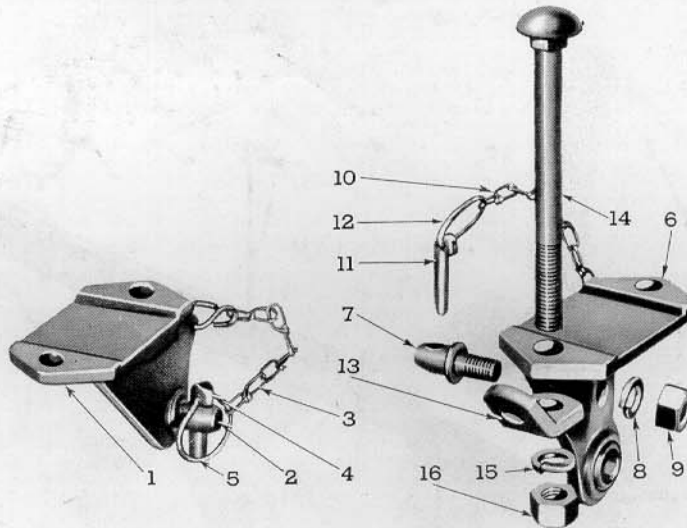


Figure 15 - Anchor Bracket Assemblies

FIG. 15	PART NO.	NAME AND DESCRIPTION	QTY. REQ.
Group 1-9A — ANCHOR BRACKET ASSEMBLIES (Models 14-1, 2, 9, 10, 15, 16 and 59)			
-	141567*	BRACKET ASSEMBLY R. H. Anchor (Model 14-1, 2 only)	1
1	141561	BRACKET ASSEMBLY, L. H. Anchor	1
		Consists of Bracket which is not serviced separately plus items listed below:	
2	230044	PIN, Anchor	1
-		LOCKWASHER, 5/8" } Anchor Pin to Bracket	1
-		NUT, 5/8" - 18 Hex. }	
3	142210	CHAIN ASSEMBLY	1
4	2N-574	PIN, Linch	1
5	2N-575	RING, Linch Pin	1
6	141186	BRACKET and BALL ASSEMBLY, R. H. Anchor	1
7	230044	PIN, Anchor	1
8		LOCKWASHER, 5/8" } Anchor Pin to Bracket	1
9		NUT, 5/8" - 18 Hex. }	
10	142210	CHAIN ASSEMBLY	1
11	2N-574	PIN, Linch	1
12	2N-575	RING, Linch Pin	1
13	141569	CLIP, Lift Chain (Models 14-1, 2, 9, 10 only)	1
14		BOLT, 5/8" - 18 x 6-1/2" Carr. } Clip and R. H. Anchor	
15		LOCKWASHER, 5/8" } Bracket to Axle	1
16		NUT, 5/8" - 18 Hex. }	
--		BOLT, 5/8" - 11 x 6-1/2" Hex. Hd. (Use on 2N, 9N and early 8N Tractors to fasten Mower R. H. Anchor Bracket to Axle	1
--	230042	LINK, Stabilizer	1
		* Use on Model 14-1 Prior to Serial No. 27282	
		* Use on Model 14-2 Prior to Serial No. 27535	